

Pioneering for You



# BastionPump ZL-3002-25/6-\*\*\*/SCU

## Datasheet

---



# BastionPump ZL-3002-25/6-\*\*\*/SCU



**Field of application**



**Underfloor Heating**

## BastionPump ZL-3002-25/6-\*\*\*/SCU-6

**BastionPump**

**High Efficiency pump for heating application**

-	Inline cast iron pump housing
3002	Code of the pump
25	Threaded connection DN25(G1 1/2" )
6	6= delivery head in [m] at Q = 0 m <sup>3</sup> /h
130	Pump housing length 130mm(180mm also available)
<b>SCU</b>	The pump is controlled by Push button technology SCU = $\Delta P-v$ , $\Delta P-c$ (specific underfloor system setting), constant speed I, II, III
6	Control box orientation 6 o'clock (3, 9 o'clock: also available)

Approved fluids (other fluids on request)	Heating water (in accordance with VDI 2035) Water-glycol mixtures (max. 1:1; above 20% admixture, the pumping data must be checked)
--	---

### Power

Energy Efficiency Index (EEI)	≤ 0.20
Max. delivery head	6 m
Max. volume flow	3,0 m <sup>3</sup> /h

### Permitted field of application

Temperature range for applications in HVAC systems at max. ambient temperature. Limit values for continuous operation at maximum rated power	Of 58°C = 0 to 100°C Of 62°C = 0 to 90°C Of 66°C = 0 to 80°C Of 71°C = 0 to 70°C
Maximum static pressure	PN10

### Electrical connection

Mains connection	230V, 50Hz/60Hz single phase AC
------------------	---------------------------------

### Motor/electronics

Low voltage directive	2014/35/EU
Electromagnetic compatibility	2014/35/EU EN55014-1:2006+A1+A2 EN55014-1:2017 EN55014-2:2015 EN61000-3-2:2014 EN61000-3-3:2013
Protection class	IP44
Insulation class	H
RoHS / REACH	Compliant but not submitted

### Minimum suction head at suction port to avoid cavitation at water pumping temperature

Minimum suction head at 50/90°C	0.5/5 m
---------------------------------	---------

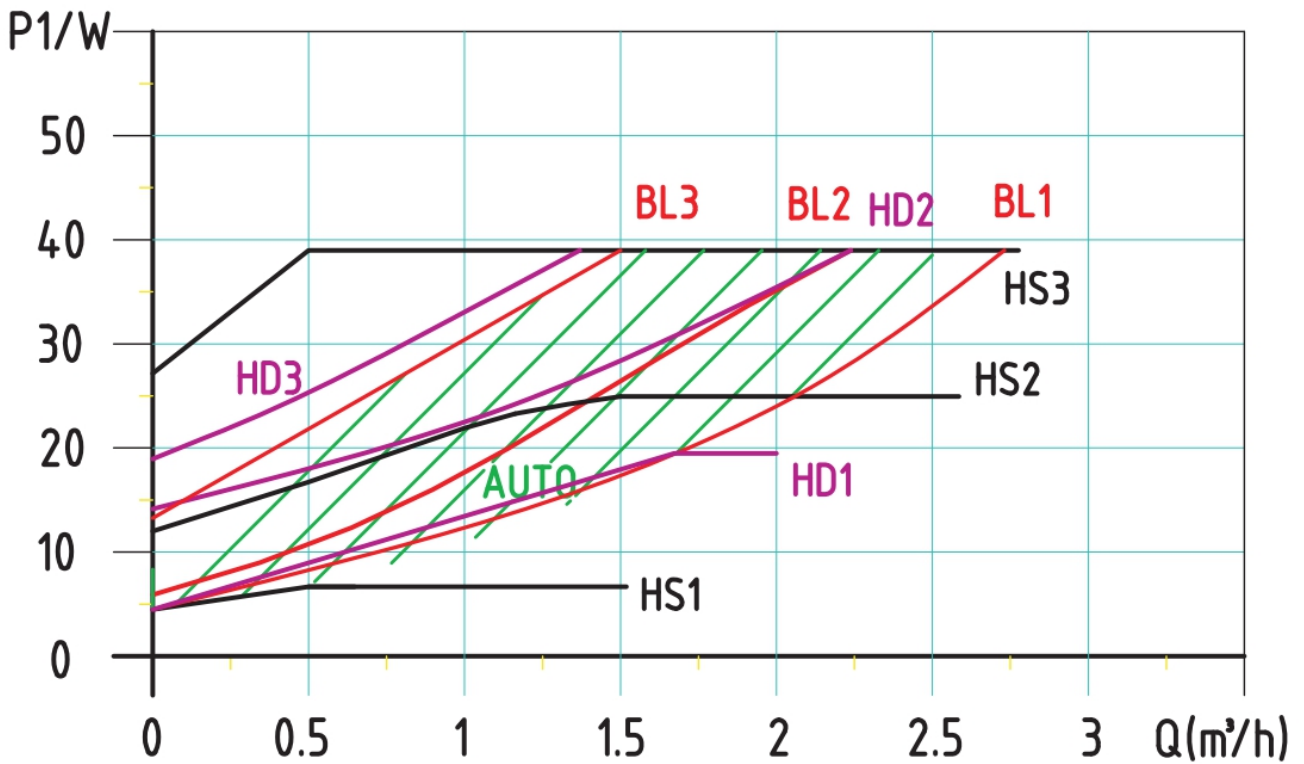
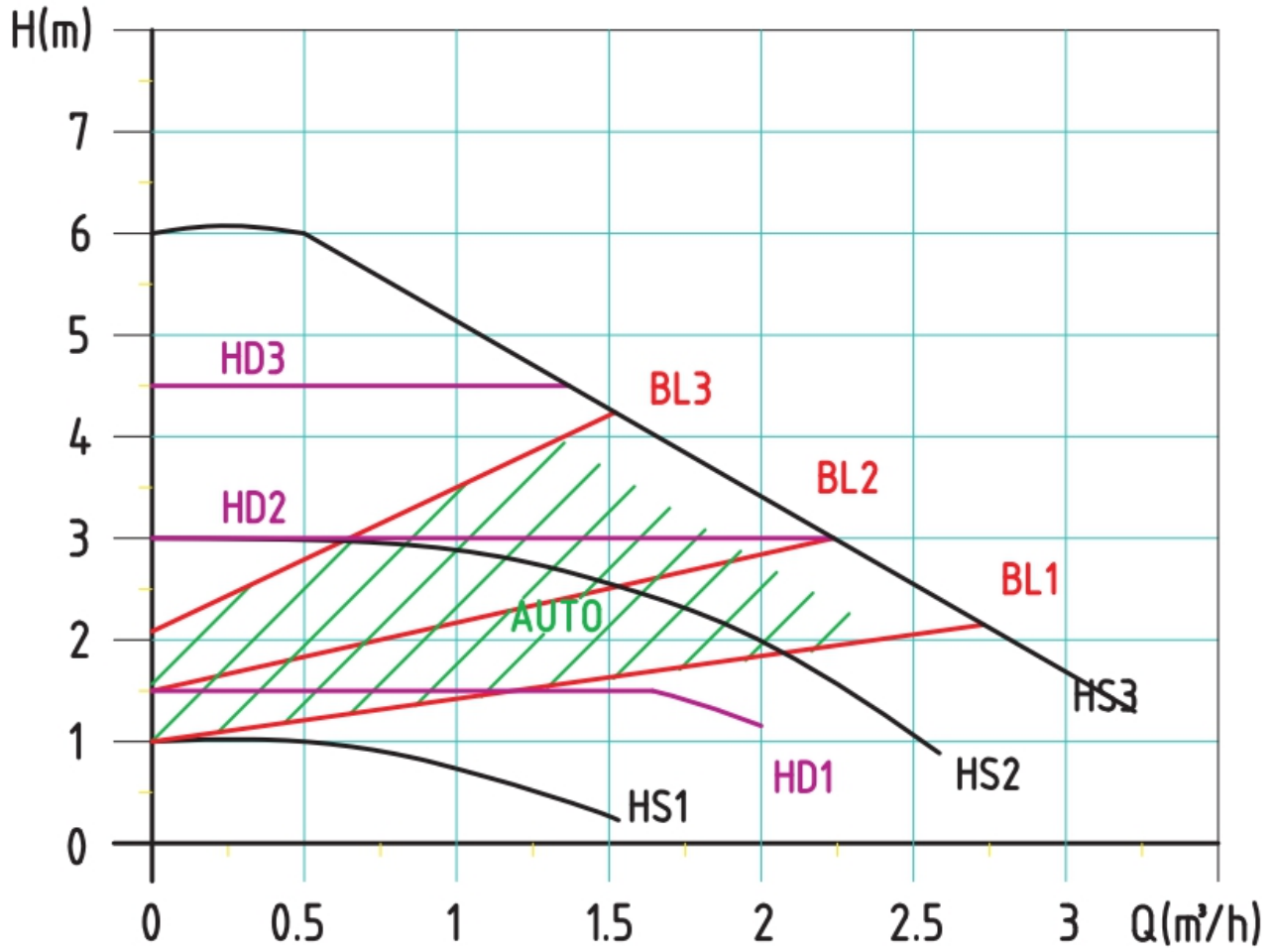
### Motor data

Para	Speed	Power consumption 1-230 V	Current at 1-230 V	Motor protection
	n	P1	I	-
	rpm	W	A	-
25/6-***		5-39	0.05-0.35	Integrated

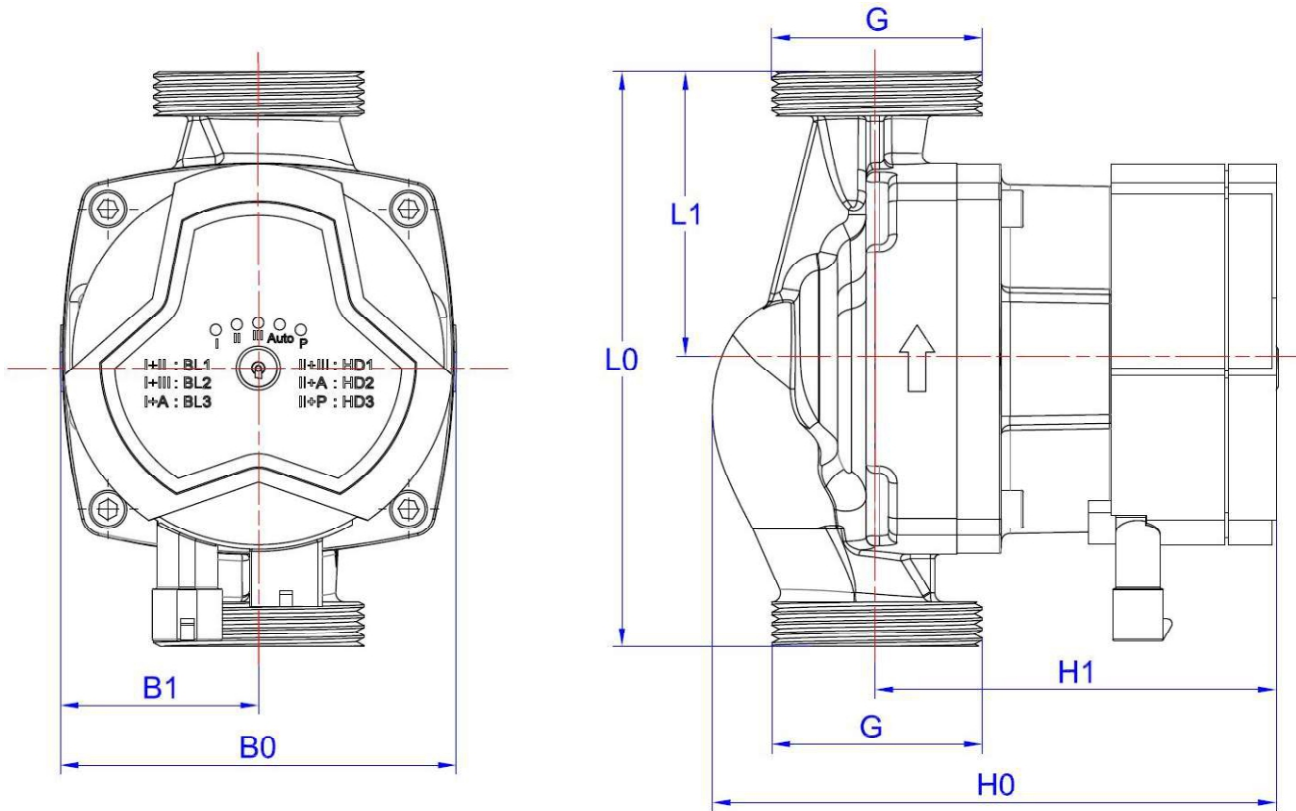
### Materials

Para	Pump housing	Impeller	Pump shaft	Bearing
25/6-***	Cast iron with cataphoresis treatment	PPE with GF30%	Ceramics	Graphite

## Hydraulic operational area



## Dimensions



Unit: mm

Designation	Dimensions							Weight
	Thread G	L0	L1	H0	H1	B0	B1	
ZL-3002-25/6-130/SCU	G1 1/2"	130	65	127	90	90	45	2.3kg
ZL-3002-25/6-180/SCU	G1 1/2"	180	90	127	90	90	45	2.5kg

## Electrical Box Orientation

